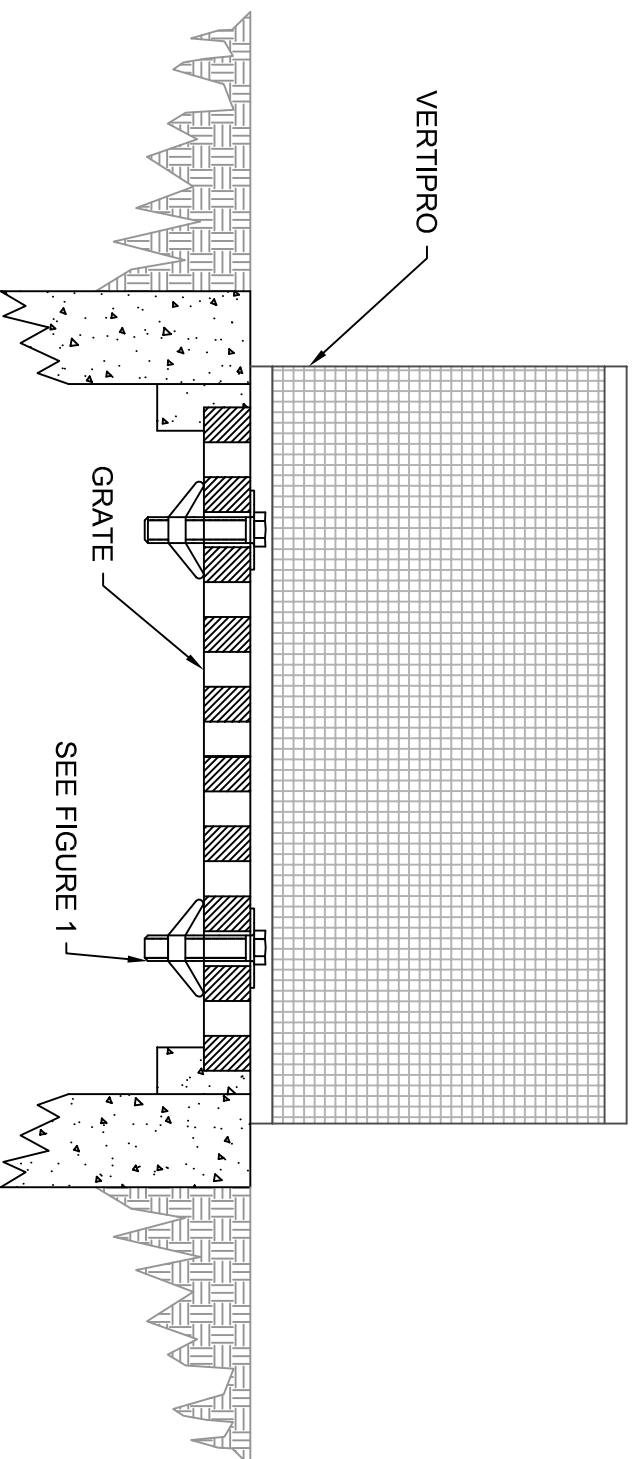
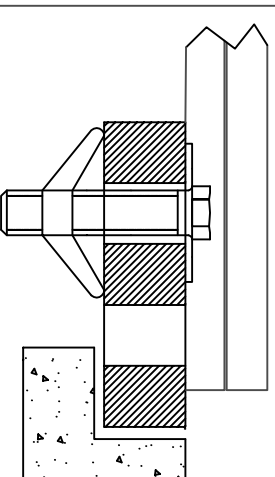
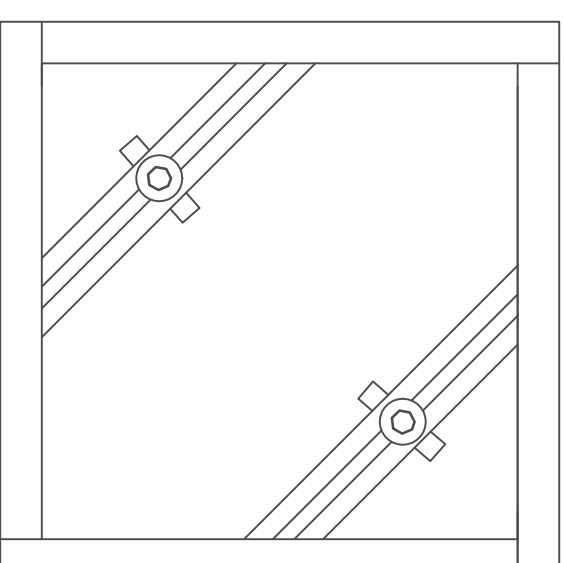


VERTIPRO INLET PROTECTION APPLIANCE



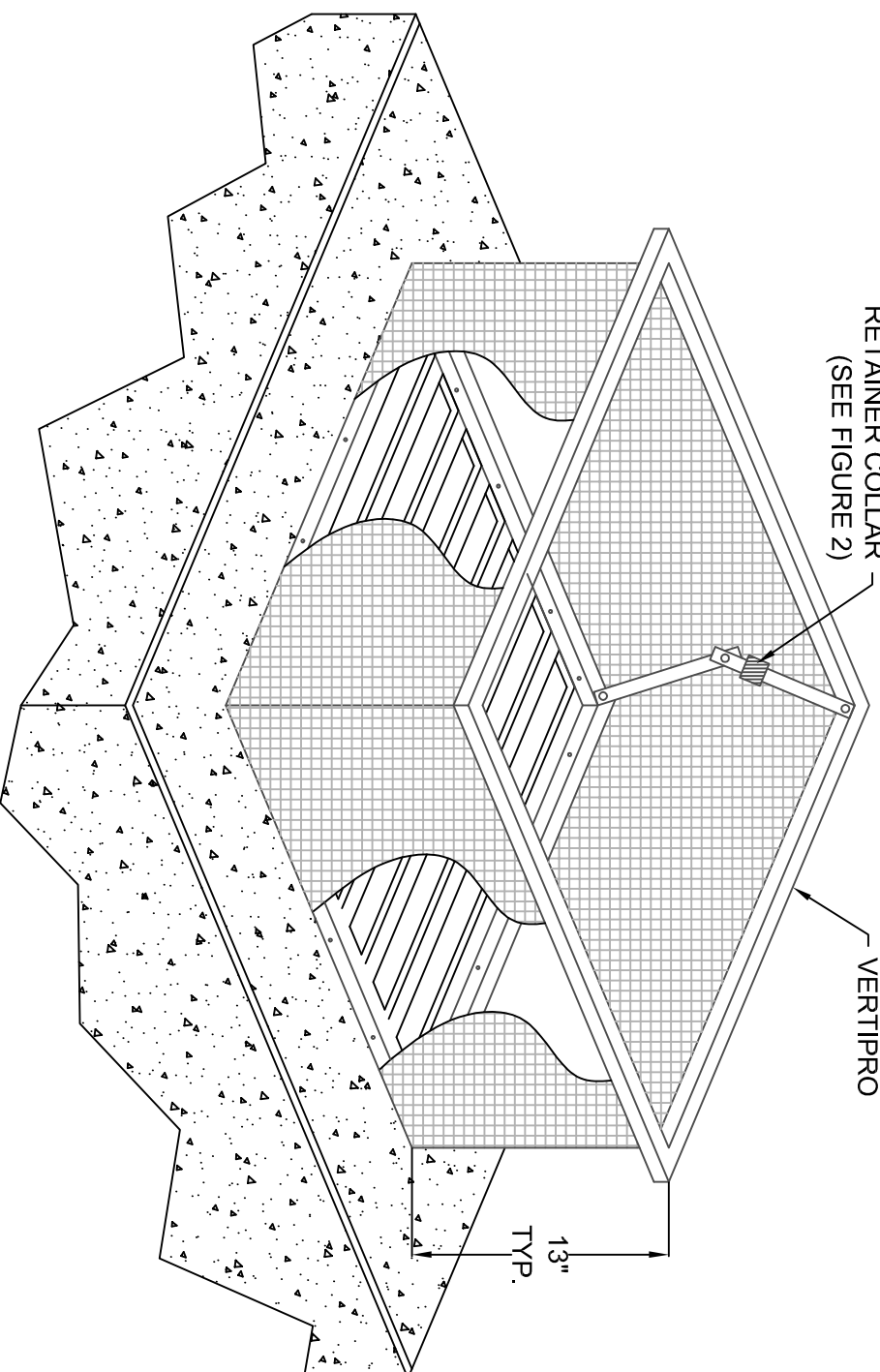
INSTALLATION: SURFACE OF GRATE MUST BE CLEAN AND FREE OF DIRT AND DEBRIS. POSITION VERTIPRO SQUARELY ON THE CATCH BASIN. INSTALL TOGGLE BOLT ASSEMBLY TO THE GRATE (SEE FIGURE 1) AND SECURE TIGHTLY BUT NOT TOO TIGHT. THE HOLD DOWN ASSEMBLY MUST EXTEND THROUGH THE FRAME AND THE GRATE LOCKING THE TWO TOGETHER. THE TOGGLE BOLT MUST ENGAGE TWO BARS ON GRATE. REPEAT ON OPPOSITE SIDE OF VERTIPRO.

FIGURE 1



RETAINER COLLAR
(SEE FIGURE 2)

VERTIPRO

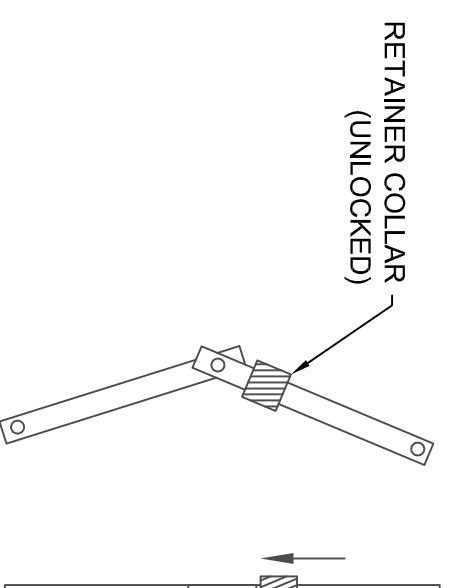


THE VERTIPRO HAS FOUR LEGS, ONE IN EACH CORNER THAT FOLDS IN THE MIDDLE ALLOWING THE VERTIPRO TO EASILY COLLAPSE FOR TRANSPORT AND STORAGE (SEE FIGURE 2). TO INSTALL, PULL TOP OF FRAME UP AND STRAIGHTEN THE LEGS. SLIDE RETAINER COLLAR DOWN SO THAT IT ENGAGES BOTH SECTIONS OF THE LEG. WHEN EXTENDED, RETAINER COLLAR WILL HOLD THE VERTIPRO IN AN UPRIGHT AND LOCKED POSITION. VERTIPRO STANDARD INSTALLED HEIGHT IS 13". CUSTOM SIZES ARE AVAILABLE.

FIGURE 2

RETAINER COLLAR
(UNLOCKED)

RETAINER COLLAR
(LOCKED)



MAINTENANCE: INSPECT AFTER EACH RAIN EVENT. REMOVE DEBRIS AND CAPTURED SEDIMENT WHEN DEPOSITS REACH 7" OR 50% OF THE HEIGHT OF THE VERTIPRO. REMOVE CAPTURED DEBRIS FROM THE VERTIPRO FABRIC WITH A STIFF BRISTLE BRUSH.